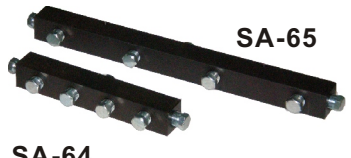
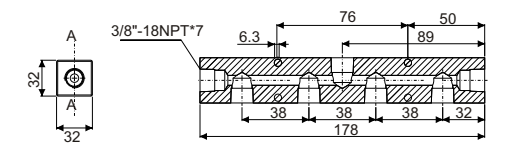
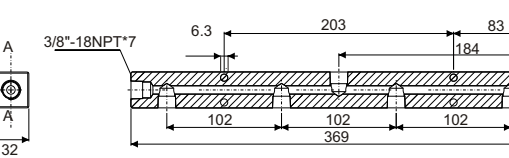

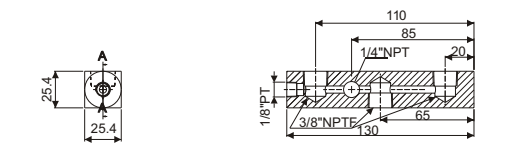

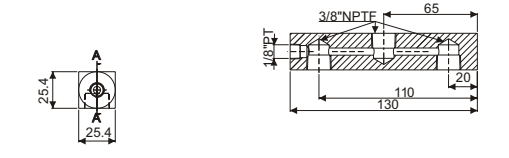

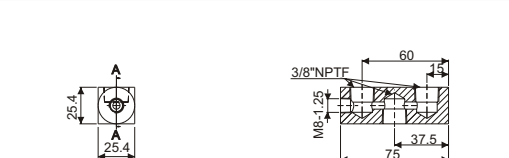

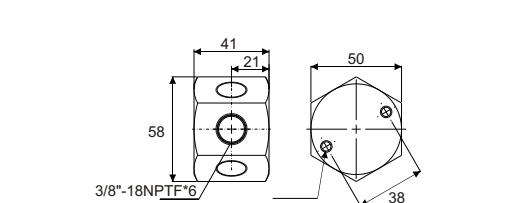

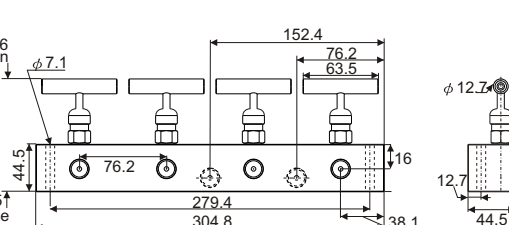
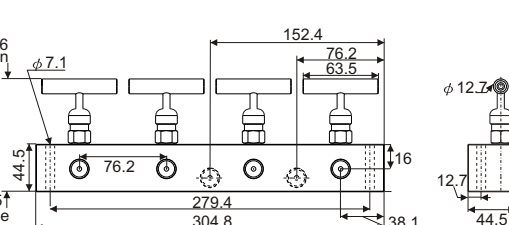


**SA Series** 最大使用壓力  
Maximum Operating Pressure  
**700 bar**

型號 Model Number	規範 Description	尺寸 Dimensions (mm)	尺寸 Dimension(mm)			
			A	B	C	D
 SA-64 SA-65	178mm長六通閥配7個母接頭口 178mm Long Manifold with 7 female ports.		38	16	1/4"-18NPTF	1/4"-18NPTF
	369mm長六通閥配7個母接頭口 369mm Long Manifold with 7 female ports		37	19	3/8"-18NPTF	3/8"-18NPTF
 SA-25G	130mm長二通閥 3/8"-18NPTF螺孔: 3 1/8"PT螺孔: 1 1/4"NPT螺孔: 1 130mm Long Manifold 3/8"-18NPTF Female port: 3 1/8"PT Female port: 1 1/4"NPT Female port: 1		56	26	3/8"-18NPTF	3/8"-18NPTF
 SA-25	130mm長二通閥 3/8"-18NPTF螺孔: 3 1/8"PT螺孔: 1 130mm Long Manifold 3/8"-18NPTF Female port: 3 1/8"PT Female port: 1		29	26	3/8"-18NPTF	3/8"-18NPTF
 SA-23	75mm長二通閥 3/8"-18NPTF螺孔: 3 M8-1.25螺孔: 1 75mm Long Manifold 3/8"-18NPTF Female port: 3 M8-1.25 Female port: 1		28	25	3/8"-18NPTF	1/4"-18NPTF
 SA-66	六角六孔分配器所有通口栓塞為3/8"-18NPTF 6-Port Hexagon Manifold Plugs furnished for all ports 3/8"-18NPTF		35	27	3/8"NPT	1/2"-14PT
 ASM-2	<b>ASM-2</b> 手控雙分流閥 2 control bars 其功能為分流閥，可同步控制2~4個單動油壓缸，所有通孔栓塞為3/8"-18NPTF		44	23	1/4"-18NPTF	3/8"-18NPTF
	<b>ASM-4</b> 手控四分流閥 4 control bars Functions as split-flow valve to control 2~4 single-acting cylinders simultaneously. All ports 3/8"-18NPTF		43	29	1/4"-18NPTF	1/2"-14NPTF

**SFZ Series** 最大使用壓力  
Maximum Operating Pressure  
**700 bar**

型號 Model No.	規範 Description		尺寸 Dimension(mm)	尺寸 Dimension(mm)			
	From	To		A	B	C	D
 六角立布 Hex Nipple	SFZ-1608	1/4"-NPTF Male 公	1/4"-NPTF Male 公	38	16	1/4"-18NPTF	1/4"-18NPTF
	SFZ-1617	3/8"-NPTF Male 公	3/8"-NPTF Male 公	37	19	3/8"-18NPTF	3/8"-18NPTF
	SFZ-1618	1/4"-NPTF Male 公	3/8"-NPTF Male 公	37	19	1/4"-18NPTF	3/8"-18NPTF
	SFZ-1619	3/8"-NPTF Male 公	3/8"-NPTF Male 公	51	19	3/8"-18NPTF	3/8"-18NPTF
 彎頭 Elbow	SFZ-1610	3/8"-NPTF Female 母	3/8"-NPTF Female 母	35	22.5	3/8"-18NPTF	—
	SFZ-1638	1/4"-NPTF Female 母	1/4"-NPTF Female 母	35	22.5	1/4"-18NPTF	—
 T型接頭 T connector	SFZ-1612	3/8"-NPTF Female 母	3/8"-NPTF Female 母	45	25	3/8"-18NPTF	—
	SFZ-1637	1/4"-NPTF Female 母	1/4"-NPTF Female 母	45	25	1/4"-18NPTF	—
 T型接頭 Street Tee	SFZB-16312	3/8"-NPTF Female 母	3/8"-NPTF Male 公	56	26	3/8"-18NPTF	3/8"-18NPTF
 十字接頭 Cross	SFZ-1613	3/8"-NPTF Female 母	3/8"-NPTF Female 母	45	25	3/8"-18NPTF	—
 雙頭內牙 Coupling	SFZ-1614	3/8"-NPTF Female 母	3/8"-NPTF Female 母	29	26	3/8"-18NPTF	3/8"-18NPTF
	SFZ-1605	1/4"-NPTF Female 母	1/4"-NPTF Female 母	29	19	1/4"-18NPTF	1/4"-18NPTF
 異徑雙頭內牙 Reducing Connector	SFZ-1615	3/8"-NPTF Female 母	1/4"-NPTF Female 母	28	25	3/8"-18NPTF	1/4"-18NPTF
	SFZ-1625	1/2"-NPTF Female 母	3/8"-NPTF Female 母	47	29	1/2"-14NPTF	3/8"-18NPTF
 內外牙彎頭 Street Elbow	SFZ-1616	3/8"-NPTF Male 公	3/8"-NPTF Female 母	23	33	3/8"-18NPTF	3/8"-18NPTF
 卜申 Bushing	SFZ-1630	1/4"-NPTF Female 母	3/8"-NPTF Male 公	19	19	1/4"-18NPTF	3/8"-18NPTF
	SFZB-1630	1/4"-NPTF Female 母	1/2"-NPTF Male 公	28	22	1/4"-18NPTF	1/2"-14NPTF
	SFZB-16301	G1/4" Female 母	3/8"-NPTF Male 公	19	19	G1/4"	3/8"-18NPTF
	SFZB-16302	3/8"NPT Female 母	1/2"-PT Male 公	35	27	3/8"NPT	1/2"-14PT
 錶接頭 Adaptor	SFZB-16411	1/4"-18NPTF Male 公	G1/4" Female 母	35	19	1/4"-18NPTF	G1/4"
	SFZB-16421	1/8"-27NPTF Male 公	G1/4" Female 母	31	19	1/8"-27NPTF	G1/4"
	SFZB-16323	1/4"-18NPTF Male 公	G3/8" Female 母	43	24	1/4"-18NPTF	G3/8"
	SFZB-16324	3/8"-18NPTF Male 公	G3/8" Female 母	43	24	3/8"-18NPTF	G3/8"
 錶接頭 Adaptor	SFZ-1055	1/4"-18NPTF Male 公	3/8"-18NPTF Female 母	44	23	1/4"-18NPTF	3/8"-18NPTF
	SFZ-1633	1/4"-18NPTF Male 公	1/2"-14NPTF Female 母	43	29	1/4"-18NPTF	1/2"-14NPTF
	SFZ-1634	3/8"-18NPTF Male 公	1/2"-14NPTF Female 母	43	29	3/8"-18NPTF	1/2"-14NPTF
	SFZ-1642	1/8"-27NPTF Male 公	1/4"-18NPTF Female 母	30	19	1/8"-27NPTF	1/4"-18NPTF
 萬向接頭 Swivel Fitting	SFZ-1660	3/8"-NPTF Male 公	3/8"-NPTF Female 母	53	26	3/8"-18NPTF	3/8"-18NPTF